

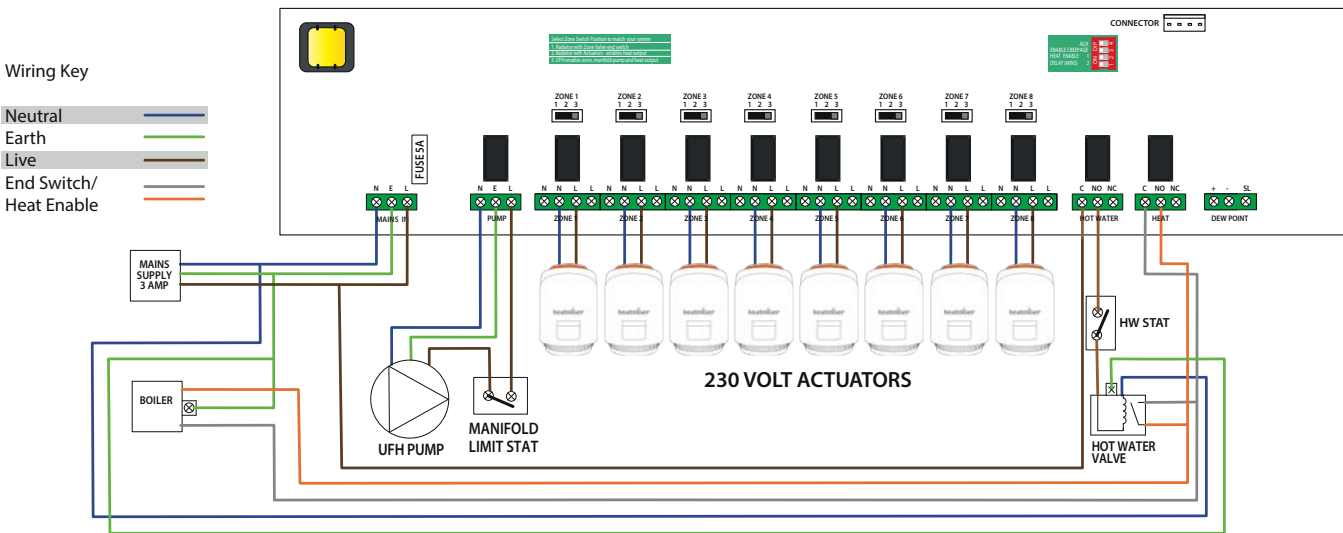
# Wiring Centre Series

# Model: UH8-RF V2



RF-Switch Compatible	Y
Boost Compatible	Y
Slimline-RF Compatible	Y
neoAir V1 & V2 Compatible	Y
Number of heating zones	8
Number of Hot Water Zones	1
Neon Indication	Y
DIN Rail Mounting	Y
Supply	230v AC 50Hz 1 Phase
Relay Load Max	3 Amp Resistive
Total Load Max	5 Amp Resistive
IP Protection	IP20
Installed Dimensions (L,H,D)	384 x 148 x 60mm
Weight	1215g

## Wiring Diagram UH8-RF



## Product Dimensions (mm)

